



RS-232 Cables

Catalog Number 2711-NC13, 2711-NC14

RS-232 cables provide communication between your computer and another device such as a:

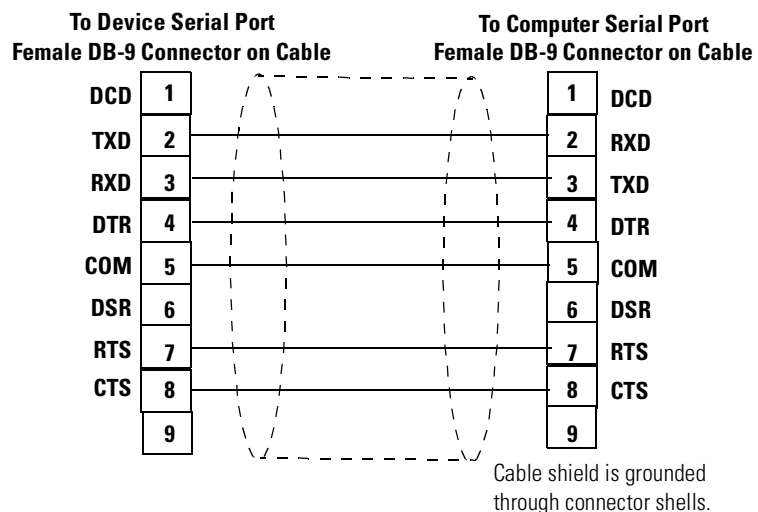
- PanelView terminal
- PanelView Plus terminal
- VersaView CE terminal

Industrial applications may require especially long run lengths, which demand high quality cables to assure best performance. Allen-Bradley offers a selection of specially designed cables to meet those needs.

Catalog No.	Description
2711-NC13	5 meter (16.4 foot) RS-232 Cable
2711-NC14	10 meter (32.7 foot) RS-232 Cable

These cables are interchangeable with the 2706-NC13 cable (3 meter/10 foot) offered with the Allen-Bradley Message Displays.

For permanent applications, the cables can be secured with the captive screws provided at each end.



www.rockwellautomation.com

Power, Control and Information Solutions Headquarters

Americas: Rockwell Automation, 1201 South Second Street, Milwaukee, WI 53204-2496 USA, Tel: (1) 414.382.2000, Fax: (1) 414.382.4444

Europe/Middle East/Africa: Rockwell Automation, Vorstlaan/Boulevard du Souverain 36, 1170 Brussels, Belgium, Tel: (32) 2 663 0600, Fax: (32) 2 663 0640

Asia Pacific: Rockwell Automation, Level 14, Core F, Cyberport 3, 100 Cyberport Road, Hong Kong, Tel: (852) 2887 4788, Fax: (852) 2508 1846